



XL16

APPLICATIONS

The XL16 series is characterized by a single LED source with high-level performance. For this reason, it is a widely used product specifically developed as an alternative to the retrofit 50 mm halogen spots. It is perfectly suitable for all those situations where are needed high light output, flexibility to choose narrow secondary optics, and the ease of installation. Due to the constant voltage power input, it offer the possibility to connect several modules in parallel to the same power supply. The main feature is the single optic that solves the issue of multiple shadows normally resulting from multi-optical products. Typical application areas are retail sales areas and museums. The careful design of the heat-sink body is the distinctive characteristic of this product, which guarantees a high and stable performance over its lifespan.



FEATURES

High efficiency (>120 lm/W)

ANSI compliant binning, 2 step MacAdams ellipse for each individual lot

Excellent lumen maintenance and colour stability over time

Extensive dimming - fully dimmable, with external dimmer

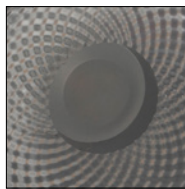
IP20 protection rating

Long life and low maintenance costs

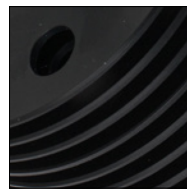
Ecological, no disposal restrictions



Body



Lens



Heat-Sink

SPECIFICATIONS

Performance

LED type	High power
LED nr. and model	1x CREE XHP-70
Total lumen output (at 85°C)	Up to 1500 lm
Colour temperature	2800 - 3200 - 4200 - 5500 K
Binning	2 step MacAdam ellipses
CRI	>90 (2800 - 3200 K), >80 (4200 - 5500 K)
Other colours	n.a.

Electrical

Supply type	Constant voltage
Supply value	24 Vdc
Maximum power consumption	10 / 15 W
Connection	Cable 2x0.5mmq L=0,5 m

Physical

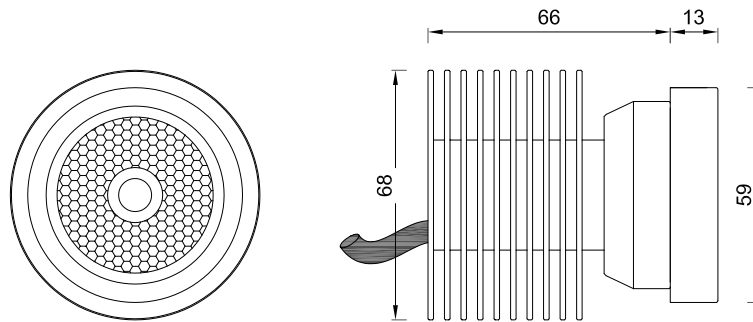
Body material	Anti-corrosion aluminium
Body finish	Anodization
Optic material	PMMA
Optic type	TIR
Screen material	n.a.
Dissipation	Passive
Protection rating	IP20
Class	III
Weight	0,2 Kg
Dimensions	See technical drawing
Operating temperature range	-25 / +70 °C
MTBF (LM80)	50.000 hrs
Mounting	Recessed with accessories

HOW TO ORDER

Model ▼	Power ▼	Optic ▼	Colour ▼
xL16	LLL	LLL	LLL
xL16 XL16	10W 10W 15W 15W	006 6° 020 20° 035 35°	WW2 Warm white 2800K WW3 Warm white 3200K NW4 Neutral white 4200K CW5 Cold white 5500K

Order code example: **xL16-15W006WW2**

TECHNICAL DRAWING



ACCESSORIES

Spotlights



Recessed light with round flange diam. 80 mm,
cut out diam. 70 mm, white matte finish

CMP00654



Recessed light with round flange diam. 80 mm,
cut out diam. 70 mm, brushed nickel finish

CMP00655



Recessed adjustable light with round flange diam. 89 mm,
cut out diam. 82 mm, white matte finish

CMP00656



Recessed adjustable light with round flange diam. 89 mm,
diam. 82 mm, brushed nickel finish

CMP00657



Recessed adjustable light with square flange dim. 89x89 mm,
cut out diam. 82 mm, white matte finish

CMP00658



Recessed adjustable light with square flange dim. 89x89 mm,
cut out diam. 82mm, brushed nickel finish

CMP00659