



# DUBAI8

## APPLICATIONS

The single-LED spotlights of the Dubai8 series are specifically designed for the universal lighting of outdoor environments, since the different product versions make their use extremely versatile, from the illumination of vegetation to the diffused lighting of the facades of buildings. Through different configurations of the secondary optics, it can be used to achieve a variety of scenic effects such as a spotlight to illuminate interesting architectural details, or as a washer and wall washer. The main feature is the single optic that solves the issue of multiple shadows normally resulting from multi-optical products. An optional spike can be mounted on the bracket for an easy in-ground installation, allowing the re-shaping of illumination according to vegetation growth.



## FEATURES

High efficiency (>120 lm/W)

ANSI compliant binning, 2 step MacAdams ellipse for each individual lot

Excellent lumen maintenance and colour stability over time

Extensive dimming range - fully dimmable, with external dimmer

Highly efficient secondary optics

IP67 protection rating

Fast connection

Long life and low maintenance costs

Ecological, no disposal restrictions



Flush glass



Adjustable bracket



Valve



Connector

SPECIFICATIONS

**Performance**

LED type	High power
LED nr. and model	1xCREE XHP70
Total lumen output (at 85°C)	Up to 1300 lm
Colour temperature (white light)	2800 - 3200 - 4200 - 5500 K
Binning	2 step MacAdam ellipse
CRI	>90 (2800 - 3200 K), >80 (4200 - 5500 K)
Other colours	On request

**Electrical**

Supply type	Constant voltage
Supply value	24 Vdc
Maximum power consumption	5 - 10 W
Connection	M12 2 poles connector

**Physical**

Body material	Corrosion-resistant aluminium
Body finish	Anodization
Optic material	PMMA
Optic type	TIR
Screen material	6 mm thick extra-clear safety glass
Dissipation	Passive
Protection rating	IP67
Class	III
Weight	0,55 Kg
Dimensions	See technical drawing
Operating temperature range	-20 / +70 °C
MTBF (LM80)	50.000 hrs
Mounting	Any position

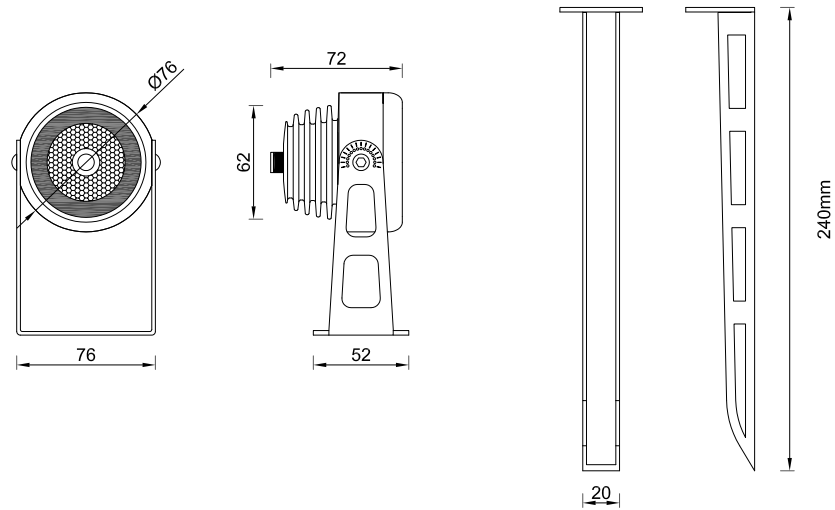
HOW TO ORDER

Model ▼	Power ▼	Optic ▼	Colour ▼
dB8	□□□	□□□	□□□
dB8 Dubai8	05W 5W 10W 10W	006 6° 020 20° 035 35°	WW2 Warm white 2800K WW3 Warm white 3200K NW4 Neutral white 4200K CW5 Cold white 5500K

Order code example: **dB8-10W035WW2**

Note: not all combinations of technical features are possible, please check with our technical office at the e-mail address [tecnico@futuroluce.it](mailto:tecnico@futuroluce.it)

TECHNICAL DRAWING



ACCESSORIES

Cables

Cable with M12 2-pole connector female/flying leads L=2 m	<a href="#">CMP00487</a>
Cable with M12 2-pole connector female/flying leads L=5 m	<a href="#">CMP00488</a>
Cable with M12 2-pole connector female/flying leads L=10 m	<a href="#">CMP00489</a>
Cable with M12 2-pole connector female/flying leads L=15 m	<a href="#">CMP00490</a>

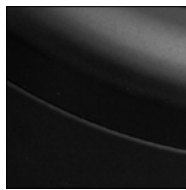
Mounting kit

In-ground adjustable spike	<a href="#">TRN00177</a>
----------------------------	--------------------------

Watertight connections

IP68 Paguro 5665 Junction box - 2x2,5 sqmm - parallel connection	<a href="#">CMP00850</a>
IP68 Paguro 5664/20 Junction box - 4x2,5 sqmm - parallel connection	<a href="#">CMP00852</a>

Finishes



Matt black  
anodized aluminium  
[ALL-BLK](#)



Dark brown  
anodized aluminium  
[ALL-BRZ](#)