



TIP

APPLICATIONS

The products of the Tip series are characterized by their simple and functional design, which means they are suitable for installation in both urban and rural environments and for lighting walkways, green areas and terraces. The asymmetric distribution of the light ensures that the areas between fixtures installed in a continuous row are well covered, thereby allowing the number of lights used to be reduced and bringing down energy requirement. The stainless steel body has a dual layer powder-coat, which makes Tip particularly well suited for in-ground installation.

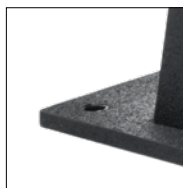


FEATURES

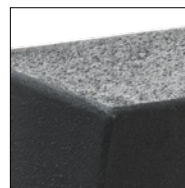
- High efficiency (>110 lm/W)
- ANSI compliant binning, 2 step MacAdams ellipse for each individual lot
- Excellent lumen maintenance and colour stability over time
- Extensive dimming range - fully dimmable, with external dimmer
- IP54 protection rating
- Solid design
- Easy installation
- Long life and low maintenance costs
- Ecological and recyclable, no disposal restrictions



Fresnel glass



Fixing flange



Finish

SPECIFICATIONS

Performance

LED type	Low power
LED nr. and model	120 x Citizen 1608
Total lumen output (at 85°C)	500 lm
Colour temperature (white light)	2700 - 3200 - 4200 - 5500 K
Binning	4 step MacAdam ellipse
CRI	>80
Other colours	On request

Electrical

Supply type	Constant voltage
Supply value	12 Vdc
Maximum power consumption	Up to 20 W
Connection	2x0.5 mmq cable L=2 m

Physical

Body material	V4A stainless steel
Body finish	Aluminium metalization/powder coating
Optic material	n.a.
Optic type	Fresnel
Screen material	10 mm thick extra-clear safety glass
Dissipation	Passive
Protection rating	IP54
Class	III
Weight	5 Kg
Dimensions	See technical drawing
Operating temperature range	-20 / +70 °C
MTBF (LM80)	50.000 hrs
Mounting	On concrete base

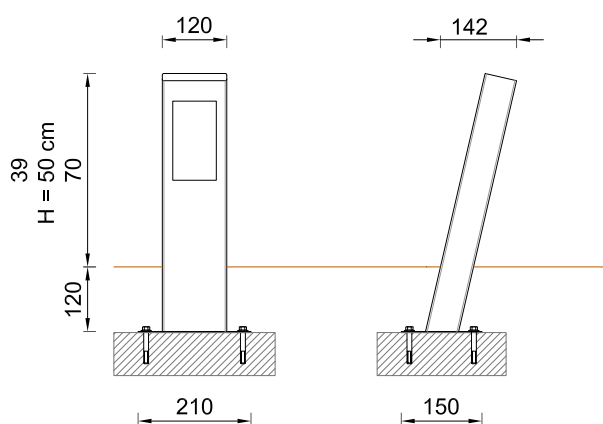
HOW TO ORDER

Model	Optic	Power	Height	Colour
TIP-V	FRN	□□□	□□□	□□□
TIP-V Tip	FRN 180°	010 10 W 020 20 W	039 39 cm 050 50 cm 070 70 cm	WW2 Warm white 2800K WW3 Warm white 3200K NW4 Neutral white 4200K CW5 Cold white 5500K

Order code example: **TIP-VFRN010039WW3**

Note: not all combinations of technical features are possible, please check with our technical office at the e-mail address tecnico@futuroluce.it

TECHNICAL DRAWING



ACCESSORIES

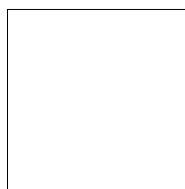
Watertight connections

IP68 Paguro 5665 Junction box - 2x2,5 sqmm - parallel connection	CMP00850
IP68 Paguro 5650/3 Junction box - 3x2,5 sqmm - parallel connection	CMP00851
IP68 Paguro 5664/20 Junction box - 4x2,5 sqmm - parallel connection	CMP00852
IP68 Paguro 5633/6 Junction box - 6x0,5 sqmm - parallel connection	CMP00853
IP68 Paguro 5663 Junction box - 3x6 sqmm - series/parallel connection	CMP00854

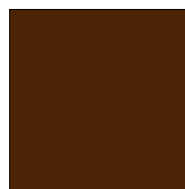
Finishes



Black
RAL9005
[VER06](#)



White
RAL9010
[VER03](#)



Brown
RAL8011
[VER04](#)



Grey
RAL7016
[VER05](#)