



DESCRIPTION

Body in anodized corrosion-resistant aluminium. Extra-clear safety glass with a thickness of 6mm, ceramic-coated rear. Anti-condensation compensation valve.

Adjustable from 0° to 105° with graduated bracket. Bracket rotatable by 180°. Electrical connection with screw connector. High power LED module on printed circuit board with metal base.

Electronic components, dimmable with external dimmer. Highly efficient secondary lens.

IP67 protection rating: total protection from dust and the effects of immersion in water.

APPLICATIONS

The Hannover spotlight is suitable for the diffused lighting of buildings and for indoor and outdoor environments. When mounted onto a wall, it can illuminate facades, ceilings, beams, vaults and walls, as well as floors, open spaces and entrance halls.

Through different configurations of the secondary optics, it can be used as floodlight or spotlight, as a washer and wall washer.

TECHNICAL SPECIFICATIONS

No and Type of LED	18x Seoul P5II 12x CREE XP-E
Power supply	350 / 700mA / 24Vdc
Body material	anticorodal anodized aluminium
Electrical connection	M12 connector
Cooling	passive
Installation	any position
Protection rating	IP67
Class	III
Weight	3,0Kg
Dimensions	193mm x h230mm
Maximum power consumption	44W
Operating temperature	-40 / +85°C
Average product life	35.000hours

CHARACTERISTICS AND ADVANTAGES

- High efficiency (>100 lm/W).
- ANSI compliant binning.
- Excellent lumen maintenance and colour stability.
- Extensive dimming range – fully dimmable.
- Highly efficient secondary optics.
- Robust design.
- Quick connection.
- Long life and reduced maintenance costs.
- Ecological, no disposal restrictions.

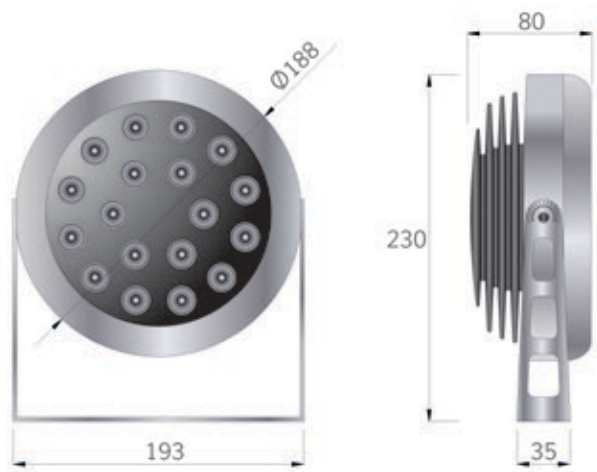
OPTICS, COLOUR TEMPERATURE AND RCI

10°	21°	39°	10°x44°	25°	40°
					OTHER COLOURS ON REQUEST
2800K	3200K	4200K	5500K	RGB	
>90	>85				
CRI	CRI				

OPTICAL SPECIFICATIONS

Optics	Code	Color temperature	Emission (Lumens)	LED Efficiency (lm/W)	CRI	Typical illuminance (Lux)		
						at 1m	at 2m	at 3m
10°	hN190-18700010WW2	White 2800K	1800lm	100lm/W	>90	38985lx	13032lx	6154lx
	hN190-18700010WW3	White 3200K	1890lm	105lm/W	>85			
	hN190-18700010NW4	White 4200K	1980lm	110lm/W	>80			
21°	hN190-18700021WW2	White 2800K	1800lm	100lm/W	>90	10313lx	2772lx	1244lx
	hN190-18700021WW3	White 3200K	1890lm	105lm/W	>85			
	hN190-18700021NW4	White 4200K	1980lm	110lm/W	>80			
39°	hN190-18700039WW2	White 2800K	1800lm	100lm/W	>90	3938lx	989lx	439lx
	hN190-18700039WW3	White 3200K	1890lm	105lm/W	>85			
	hN190-18700039NW4	White 4200K	1980lm	110lm/W	>80			
10°x44°	hN190-18700x44WW2	White 2800K	1800lm	100lm/W	>90	12304lx	3131lx	1395lx
	hN190-18700x44WW3	White 3200K	1890lm	105lm/W	>85			
	hN190-18700x44NW4	White 4200K	1980lm	110lm/W	>80			
Diameter (m)	10°		>			0.64m	1.29m	1.91m
	21°		>			0.42m	1.86m	2.59m
	39°		>			0.82m	2.54m	3.13m
	10°x44°		>			0.58mx0.56m	2.04mx1.97m	3.01mx2.86m

TECHNICAL DRAW



ACCESSORIES

DESCRIPTION	CODE
Cable with M12 6-pole connector L=2m (RGB)	CMP00482
Cable with M12 6-pole connector L=5m (RGB)	CMP00483
Cable with M12 6-pole connector L=10m (RGB)	CMP00484
Cable with M12 4-pole connector L=2m (RGB)	CMP00259
Cable with M12 4-pole connector L=5m (RGB)	CMP00303
Cable with M12 4-pole connector L=10m (RGB)	CMP00370
IP68 Paguro 5665 Junction box - 2x2.5 mmq parallel	CMP00850
IP68 Paguro 5650/3 Junction box - 3x2.5 mmq parallel	CMP00851
IP68 Paguro 5664/20 Junction box - 4x2.5 mmq parallel	CMP00852
IP68 Paguro 5633/6 Junction box - 6x0,5 mmq parallel	CMP00853
IP68 Paguro 5663 Junction box - 3x6 mmq - connection in series/parallel	CMP00854