



BONN

APPLICATIONS

The Bonn recessed floodlight is suitable for the diffused lighting of buildings, architectural elements and outdoor areas. In-ground installation gives the possibility to illuminate urban facades, arches, vertical surfaces and tall trees. Through different configurations of the secondary optics, it can be used to achieve a variety of scenic effects such as a floodlight to illuminate the facades of buildings, or as spotlight to highlight interesting architectural features. RGB version is also available for scenic effects in all situations where colour is required to create an evocative atmosphere. All fixtures are already equipped with a connection cable for a flawless installation.



FEATURES

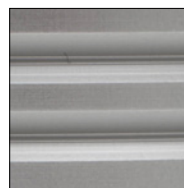
- High efficiency (>120 lm/W)
- ANSI compliant binning, 2 step MacAdams ellipse for each individual lot
- Excellent lumen maintenance and colour stability over time
- Extensive dimming range - fully dimmable, with external dimmer
- Highly efficient secondary optics
- IP67 protection rating
- Walkover device
- Long life and low maintenance costs
- Ecological, no disposal restrictions



Lens



Flange fixing



Mounting sleeve

SPECIFICATIONS

Performance

LED type	High power
LED nr. and model	12 / 18 x Cree XP-E o XP-G / Seoul P5II
Total lumen output (at 85°C)	Up to 3900 lm
Colour temperature (white light)	2800 - 3200 - 4200 - 5500 K
Binning	2 step MacAdam ellipse
CRI	>90 (2800 - 3200 K), >80 (4200 - 5500 K)
Other colours	RGB and on request

Electrical

Supply type	Constant current / constant voltage
Supply value	350 mA / 700 mA / 24 Vdc
Maximum power consumption	Up to 44 W
Connection	M12 2/4/6 poles connector

Physical

Body material	Corrosion-resistant aluminium
Body finish	Anodization
Optic material	PMMA
Optic type	TIR
Screen material	6 mm thick extra-clear safety glass
Dissipation	Passive
Protection rating	IP67
Class	III
Weight	5 Kg
Dimensions	See technical
Operating temperature range	-20 / +70 °C
MTBF (LM80)	50.000 hrs
Mounting	In ground recessed

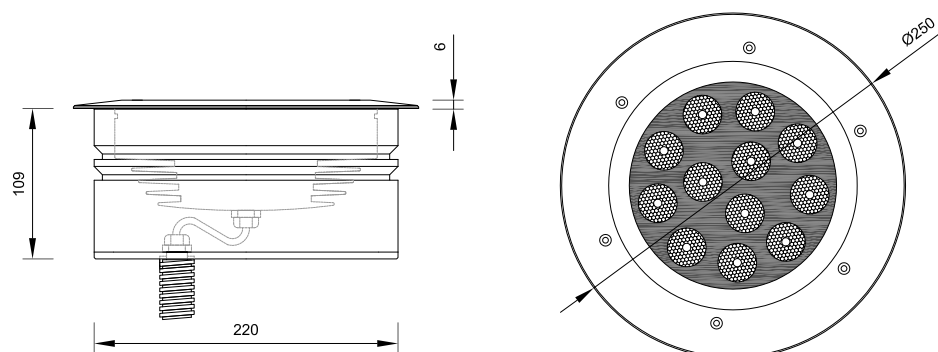
HOW TO ORDER

Model ▼	LED nr. ▼	Supply ▼	Optic ▼	Colour ▼
bN250	□□	□□□	□□□	□□□
bN250 Bonn	12 12 LED 18 18 LED	350 3 x 350 mA (RGB) 324 3 x 350 mA @ 24 Vdc (RGB) 700 700 mA (mono) 724 700 mA @ 24 Vdc (mono)	010 10° (mono) 021 21° (mono) 039 39° (mono) x44 10° x 44° (mono) 025 25° (RGB) 040 40° (RGB)	WW2 Warm white 2800K WW3 Warm white 3200K NW4 Neutral white 4200K CW5 Cold White 5500K RGB RGB

Order code example: **bN250-18700010WW2**

Note: not all combinations of technical features are possible, please check with our technical office at the e-mail address tecnico@futuraoluce.it

TECHNICAL DRAWING



ACCESSORIES

Watertight connections

IP68 Paguro 5665 Junction box - 2x2,5 sqmm - parallel connection	CMP00850
IP68 Paguro 5650/3 Junction box - 3x2,5 sqmm - parallel connection	CMP00851
IP68 Paguro 5664/20 Junction box - 4x2,5 sqmm - parallel connection	CMP00852
IP68 Paguro 5633/6 Junction box - 6x0,5 sqmm - parallel connection	CMP00853
IP68 Paguro 5663 Junction box - 3x6 sqmm - series/parallel connection	CMP00854