



SJ16

APPLICATIONS

The SJ16 series is characterized by a single LED source with high-level performance. For this reason, it is a widely used product specifically developed as an alternative to the retrofit 50 mm halogen spots. It is perfectly suitable for all those situations where are needed high light output, flexibility to choose narrow secondary optics, and the ease of installation. Due to the constant voltage power input, it offer the possibility to connect several modules in parallel to the same power supply. The main feature is the single optic that solves the issue of multiple shadows normally resulting from multi-optical products. Typical application areas are retail sales areas and museums. The careful design of the heat-sink body is the distinctive characteristic of this product, which guarantees a high and stable performance over its lifespan.



FEATURES

High efficiency (>120 lm/W)

ANSI compliant binning, 2 step MacAdams ellipse for each individual lot

Excellent lumen maintenance and colour stability over time

Extensive dimming - fully dimmable, with external dimmer

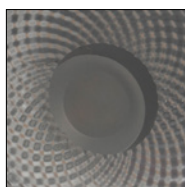
IP20 protection rating

Long life and low maintenance costs

Ecological, no disposal restrictions



Body



Lens



Heat-sink

SPECIFICATIONS

Performance

LED type	High power
LED nr. and model	1x CREE XHP-70
Total lumen output (at 85°C)	Up to 1300 lm
Colour temperature	2800 - 3200 - 4200 - 5500 K
Binning	2 step MacAdam ellipses
CRI	>90 (2800 - 3200 K), >80 (4200 - 5500 K)
Other colours	n.a.

Electrical

Supply type	Constant voltage
Supply value	24 Vdc
Maximum power consumption	5 / 10 W
Connection	Cable 2x0.5mmq L=0,5 m

Physical

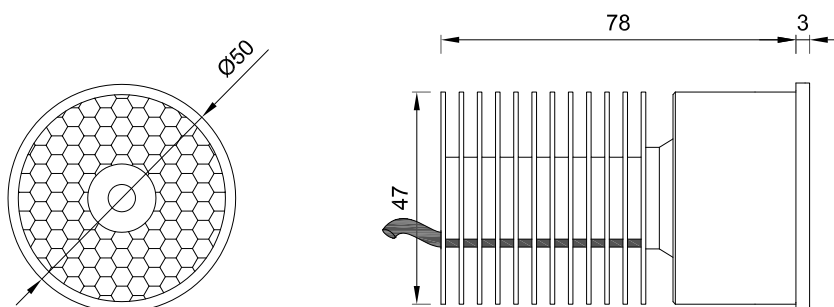
Body material	Anti-corrosion aluminium
Body finish	Anodization
Optic material	PMMA
Optic type	TIR
Screen material	n.a.
Dissipation	Passive
Protection rating	IP20
Class	III
Weight	0,1 Kg
Dimensions	See technical drawing
Operating temperature range	-25 / +70 °C
MTBF (LM80)	50.000 hrs
Mounting	Recessed with accessories

HOW TO ORDER

Model	Power	Optic	Colour
▼	▼	▼	▼
sj16	UUU	UUU	UUU
sj16 SJ16	05W 5W 10W 10W	006 6° 020 20° 035 35°	K27 Warm white 2700K K30 Warm white 3000K K35 Warm white 3500K K40 Neutral white 4000K K55 Cold white 5500K

Order code example: **sj16-10W020K40**

TECHNICAL DRAWING



ACCESSORIES

Spotlights



Recessed comfort light with round flange diam. 85 mm, assembly hole diam. 75 mm, white matte finish

CMP00660



Recessed light with round flange diam. 80 mm, assembly hole diam. 70 mm, white matte finish

CMP00654



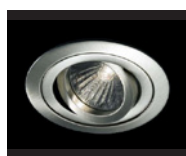
Recessed light with round flange diam. 80 mm, assembly hole diam. 70 mm, brushed nickel finish

CMP00655



Recessed adjustable light with round flange diam. 89 mm, assembly hole diam. 82 mm, white matte finish

CMP00656



Recessed adjustable light with round flange diam. 89 mm, assembly hole diam. 82 mm, brushed nickel finish

CMP00657



Recessed adjustable light with square flange dim. 89x89 mm, assembly hole diam. 82 mm, white matte finish

CMP00658



Recessed adjustable light with square flange dim. 89x89 mm, assembly hole diam. 82mm, brushed nickel finish

CMP00659