



GROOVE-IN

APPLICATIONS

The Groove-in linear element was primarily designed for retail settings, particularly jewelry and other such valuables. This is because it combines two different temperatures in one single fixture. With its 3 or 6 LED versions, this fixture is indispensable for discerning architects who can thus create truly made-to-measure lighting solutions. The flush mounting system and the elegant design enable perfect integration. Through the careful use of secondary optics, Groove-in produces a variety of luminous effects and becomes a very versatile product that can easily be used in many situations, even for the general lighting of rooms.



FEATURES

Two different temperatures combined in one single fixture

Elegant design

High efficiency (>120 lm/W)

ANSI compliant binning, 2 step MacAdams ellipse for each individual lot

Excellent lumen maintenance and colour stability over time

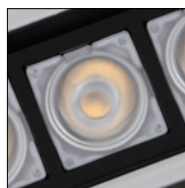
Extensive dimming - fully dimmable, even with PWM input signal

IP20 protection rating

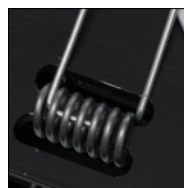
Highly efficient secondary optics

Long life and low maintenance costs

Ecological, no disposal restrictions



Lens



Mounting spring



Frame

SPECIFICATIONS

Performance

LED type	High power
LED nr. and model	3 / 6 led x CREE XP-E o XP-G
Total lumen output (at 85°C)	650 / 1300 lm
Colour temperature	2800 - 3200 - 4200 - 5500 K
Binning	2 step ellipse MacAdam
CRI	>90 (2800 - 3200 K), >80 (4200 - 5500 K)
Other colours	On request

Electrical

Supply type	Costant voltage
Supply value	24 Vdc
Maximum power consumption	8 / 16 W
Connection	2 poles Minifit connector

Phisical

Body material	Aluminium
Body finish	Anodized
Optic material	PMMA
Optic type	TIR
Screen material	n.a.
Dissipation	Passive
Protection rating	IP20
Class	III
Weight	0,22 / 0,4 Kg
Dimensions	See technical drawing
Operating temperature range	-25 / +70 °C
MTBF (LM80)	50.000 hrs
Mounting	Recessed

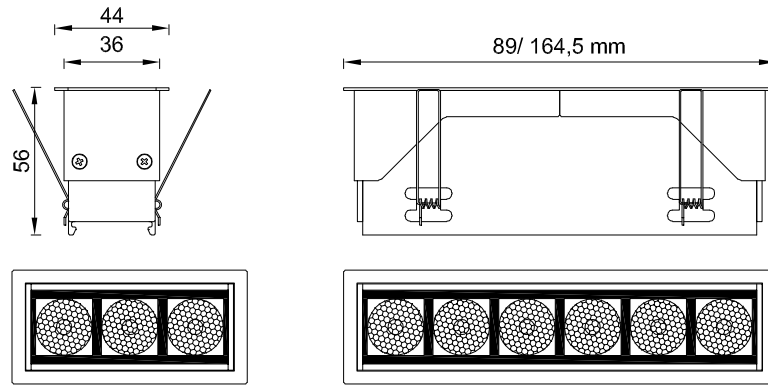
HOW TO ORDER

Model	LED nr.	Power	Optic	Colour
GIN	UU	UUU	UUU	UUU
GIN Groove-in	03 3 x XP-E / XP-G 06 6 x XP-E / XP-G	08W 8 W 16W 16 W	008 8° 013 13° 030 30° 047 47° 066 66° x40 13°x40°	WW2 Warm white 2800K WW3 Warm white 3200K NW4 Neutral white 4200K CW5 Cold white 5500K 2K5 Mixed white 2800/5500K

Order code example: **GIN-0308W047NW4**

Note: not all combinations of technical features are possible, check with our technical office at the e-mail address tecnico@futuroluce.it

TECHNICAL DRAWING



ACCESSORIES

Finishes

Black RAL 9004 painting

VER10