

GLARE1

APPLICATIONS

Fixed recessed luminaires of the Glare1 series, the comfort version of Tiny, are compact single-LED products particularly suitable for lighting design of outdoor areas. These products are typically used to achieve ambient, scenic or accent lighting effects on walkways, vegetation and vertical surfaces. The discerning use of the withdrawn lens allows the achievement of low UGR. Several fixtures in a row can be installed to highlight specific architectural elements or for marking and warning purposes. Equipped with round or square flange, this series adapts perfectly to existing architectural features and is particularly fitting to any situation that requires a high Protection rating. The Glare1 series is characterized by linear and essential design, which interact harmoniously with any type of setting leaving to the performance of the product its expressive character. All fixtures are already equipped with a connection cable for a flawless installation, extendable on request.

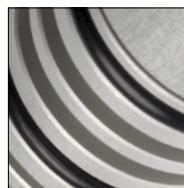


FEATURES

- High efficiency (>120 lm/W)
- ANSI compliant binning, 2 step MacAdams ellipse for each individual lot
- Excellent lumen maintenance and colour stability over time
- Extensive dimming range - fully dimmable, with external dimmer
- Highly efficient secondary optics
- IP67 protection rating
- Walkover device
- Long life and low maintenance costs
- Ecological, no disposal restrictions



Recessed lens



Heat-sink



Cable gland

SPECIFICATIONS

Performance

LED type	High power
LED nr. and model	1xCree XP-E o XP-G
Total lumen output (at 85°C)	Up to 220 lm
Colour temperature (white light)	2800 - 3200 - 4200 - 5500 K
Binning	2 step MacAdam ellipse
CRI	>90 (2800 - 3200 K), >80 (4200 - 5500 K)
Other colours	On request

Electrical

Supply type	Constant current
Supply value	350 / 700 mA
Maximum power consumption	2,4 W
Connection	2x0.5 mmq cable L=2m

Physical

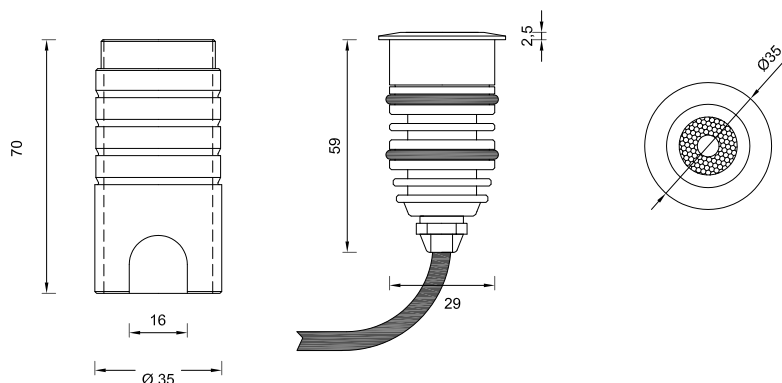
Body material	Corrosion-resistant aluminium
Body finish	Anodization
Optic material	PMMA
Optic type	TIR
Screen material	4 mm thick extra-clear safety glass
Dissipation	Passive
Protection rating	IP67
Class	III
Weight	0,15 Kg
Dimensions	See technical drawing
Operating temperature range	-20 / +70 °C
MTBF (LM80)	50.000 hrs
Mounting	Recessed with mounting sleeve or retaining spring kit

HOW TO ORDER

Model	LED nr.	Supply	Optic	Colour
gL1	01	□□□	□□□	□□□
gL1 Glare1	01 1 LED	350 350 mA 700 700 mA	010 10° 021 21°	WW2 Warm white 2800K WW3 Warm white 3200K NW4 Neutral white 4200K CW5 Cold White 5500K

Order code example: **gL1-01350010NW4**

TECHNICAL DRAWING



ACCESSORIES

Cables

2-pole power supply cable extra length L=2 m (tot. 4 m, monochromatic)	CABL0202P
2-pole power supply cable extra length L=4 m (tot. 6 m, monochromatic)	CABL0402P
2-pole power supply cable extra length L=6 m (tot. 8 m, monochromatic)	CABL0602P
2-pole power supply cable extra length L=8 m (tot. 10 m, monochromatic)	CABL0802P
2-pole power supply cable extra length L=10 m (tot. 12 m, monochromatic)	CABL1002P

Mounting kit

Concrete sleeve (corrosion-resistant aluminium)	TRN00461
Retaining spring kit	TRN00473

Flanges

V4A stainless steel flange, diameter 35mm	TRN00472
Brass flange, diameter 35 mm	TRN00474

Watertight connections

IP68 Paguro 5665 Junction box - 2x2,5 sqmm - parallel connection	CMP00850
IP68 Paguro 5664/20 Junction box - 4x2,5 sqmm - parallel connection	CMP00852

Finishes (to be combined to the relative flanges)



Dark brown
anodized aluminium
ALL-BRZ



Mirror polished
stainless steel
ACC-L



Brushed
stainless steel
ACC-S



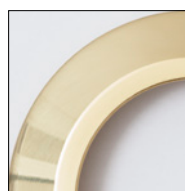
Mirror polished
brass
OTT-L



Light antiqued
brass
OTT-C



Dark antiqued
brass
OTT-A



Mirror polished
gold
GLD-L