



SUB1

APPLICATIONS

The Sub1 recessed spotlight is specifically designed to enhance aquatic environment with an accent lighting in permanent submersion. The mounting sleeve allows its use in sidewalls of fountains, pools and water paths - for hotels and residential areas - while being completely unobtrusive. This product, with its stainless steel body, is extremely reliable. The RGB version is available for scenic effects in all situations where colour is required to create an evocative atmosphere. All fixtures are already equipped with a 5 m connection cable for a flawless installation, extendable on request.



FEATURES

High efficiency (>120 lm/W)

ANSI compliant binning, 2 step MacAdams ellipse for each individual lot

Excellent lumen maintenance and colour stability over time

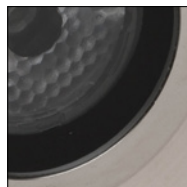
Extensive dimming range - fully dimmable, with external dimmer

Highly efficient secondary optics

IP68 protection rating

Long life and low maintenance costs

Ecological, no disposal restrictions



Glass and lens



O-Ring



Heat-sink



Cable gland

SPECIFICATIONS

Performance

LED type	High power
LED nr. and model	1x CREE XP-E o XP-G / Seoul P5II
Total lumen output (at 85°C)	Up to 220 lm
Colour temperature (white light)	2800 - 3200 - 4200 - 5500 K
Binning	2 step MacAdam ellipse
CRI	>90 (2700 - 3200 K), >80 (4200 - 5500 K)
Other colours	On request

Electrical

Supply type	Constant current
Supply value	350 / 700 mA
Maximum power consumption	Up to 3,6 W
Connection	2x0.5 mmq / 6x0,35 mmq cable L=5 m

Physical

Body material	V4A stainless steel
Body finish	Natural
Optic material	PMMA
Optic type	TIR
Screen material	6 mm thick extra-clear safety glass
Dissipation	Passive
Protection rating	IP68
Class	III
Weight	0,2 Kg
Dimensions	See technical drawing
Operating temperature range	-25 / +70 °C
MTBF (LM80)	50.000 hrs
Mounting	Recessed with mounting sleeve

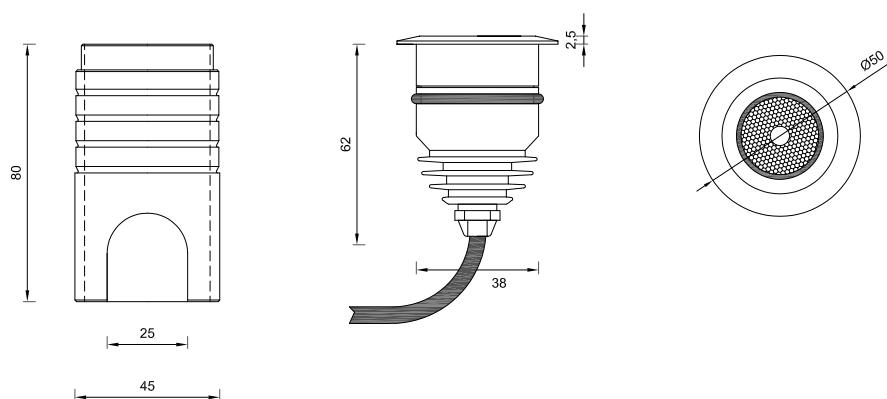
HOW TO ORDER

Model	LED nr.	Supply	Optic	Colour
sB1	01	□□□	□□□	□□□
sB1 Sub1	01 1 LED	350 350 mA (RGB) 700 700 mA (mono)	010 10° (mono) 021 21° (mono) 039 39° (mono) x44 10° x 44° (mono) 025 25° (RGB) 040 40° (RGB)	WW2 Warm white 2800K WW3 Warm white 3200K NW4 Neutral white 4200K CW5 Cold White 5500K RGB RGB

Order code example: **sB1-01350039NW4**

Note: not all combinations of technical features are possible, please check with our technical office at the e-mail address tecnico@futura luce.it

TECHNICAL DRAWING



ACCESSORIES

Cables

2-pole power supply cable extra length L=10 m (tot. 15 m, monochromatic)	CABL1002P
6-pole power supply cable extra length L=10 m (tot. 15 m, RGB)	CABL1006P

Mounting kit

Concrete sleeve (corrosion-resistant aluminium)	TRN00164
---	----------

Watertight connections

IP68 Paguro 5665 Junction box - 2x2,5 sqmm - parallel connection	CMP00850
IP68 Paguro 5650/3 Junction box - 3x2,5 sqmm - parallel connection	CMP00851
IP68 Paguro 5664/20 Junction box - 4x2,5 sqmm - parallel connection	CMP00852
IP68 Paguro 5633/6 Junction box - 6x0,5 sqmm - parallel connection	CMP00853
IP68 Paguro 5663 Junction box - 3x6 sqmm - series/parallel connection	CMP00854

Finishes (to be combined to the relative flanges)



Mirror polished
stainless steel
ACC-L



Brushed
stainless steel
ACC-S